

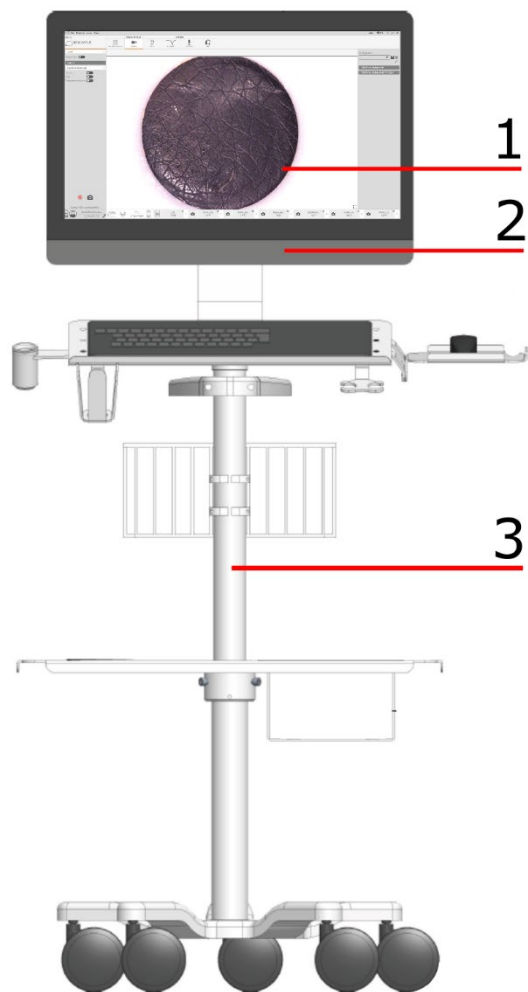


# THD PROCTOSTATION US

THD ProctoStation is an integrated, modular and expandable one-stop platform for the Colo-Rectal Surgeon/Proctologist, to perform Anorectal Manometry and High Resolution Anoscopy.

It includes:

- 1) **Maestro – PROCTOLOGY INTEGRATED SOFTWARE** composed of:
  - Users management module
  - Patient Database module
  - High Resolution Anoscopy (magnification 13,8X) module
  - Medical report form Maestro software is a Class I Medical Device, CE mark
- 2) **Dedicated Hardware** composed of an All in One Professional Personal Computer with 23” (1920x1080) screen, Storage 1TB, LAN Wireless GigaByte Ethernet, Windows 10 Professional, wireless Keyboard and Mouse.
- 3) **ProctoTrolley – 5 pivoting wheels with brakes and (orientable) dragging handle** with:
  - Orientable accessory holder basket
  - Integrated tools holder accessories
  - Surface for extra medical devices





Dimensional Features	
THD PROCTOSTATION	
Height	59 1/16" (1500 mm)
Front width	31 1/2" (800 mm)
depth	23 1/4" (590 mm)
Diameter of wheels rotation	29 1/8" (740 mm)
Weight (without packaging)	110,2 lb (50 kg)
Weight (with packaging)	198,4 lb (90 kg)

Functional Features	
Computer (processor)	PC Touchscreen All in One (Core i5)
Memory	8 GB
Operational System	MS Windows 10
Hard Disk	1 TB (7200 rpm)
Screen	23,8" - Risoluzione 1920x1080, orientabile
Graphic board	Intel® HD
Doors	7 USB 3.0; 1 HDMI; 1 Displayport, 1 USB 3.0 Type-C
Connection	LAN Gigabyte Ethernet 10/100/1000 Wireless LAN 802.11 b/g/n
Alimentation	110V/240V – 50/60 Hz
Accessories	Wireless keyboard and wireless mouse
Anoscopy maximum magnification level	13,8X (Fullscreen mode)

Accessories			
P/N	Denomination	Description	Connection
800227	THD HRA CAMERA 2.0	High Definition USB Camera	USB 2
800140	THD ANOPRESS	Anorectal Manometry Device	Bluetooth

Accessories for THD ProctoStation				
P/N	Denomination	Q.ty	Description	Packaging
800191	THD LIGHT-SCOPE PROCTO HRA	10	Proctoscope designed for HRA	Single Use Not sterile
800150	THD PRESSPROBE (ENV)	50	Anal Manometry Probe	
800151	THD PRESSKIT (TR ENV)	50		
800152	THD PRESSKIT (FL ENV)	50		
800192	THD SENSYPROBE	15	Anal Manometry Probe	

THD PROCTOSTATION		
Q.ty	P/N	Description
1	800198	THD PROCTOSTATION